

PC250F Test Board for the A250F or A250F/NF

The PC250F is a printed circuit board designed to facilitate testing of the A250F or A250F/NF.

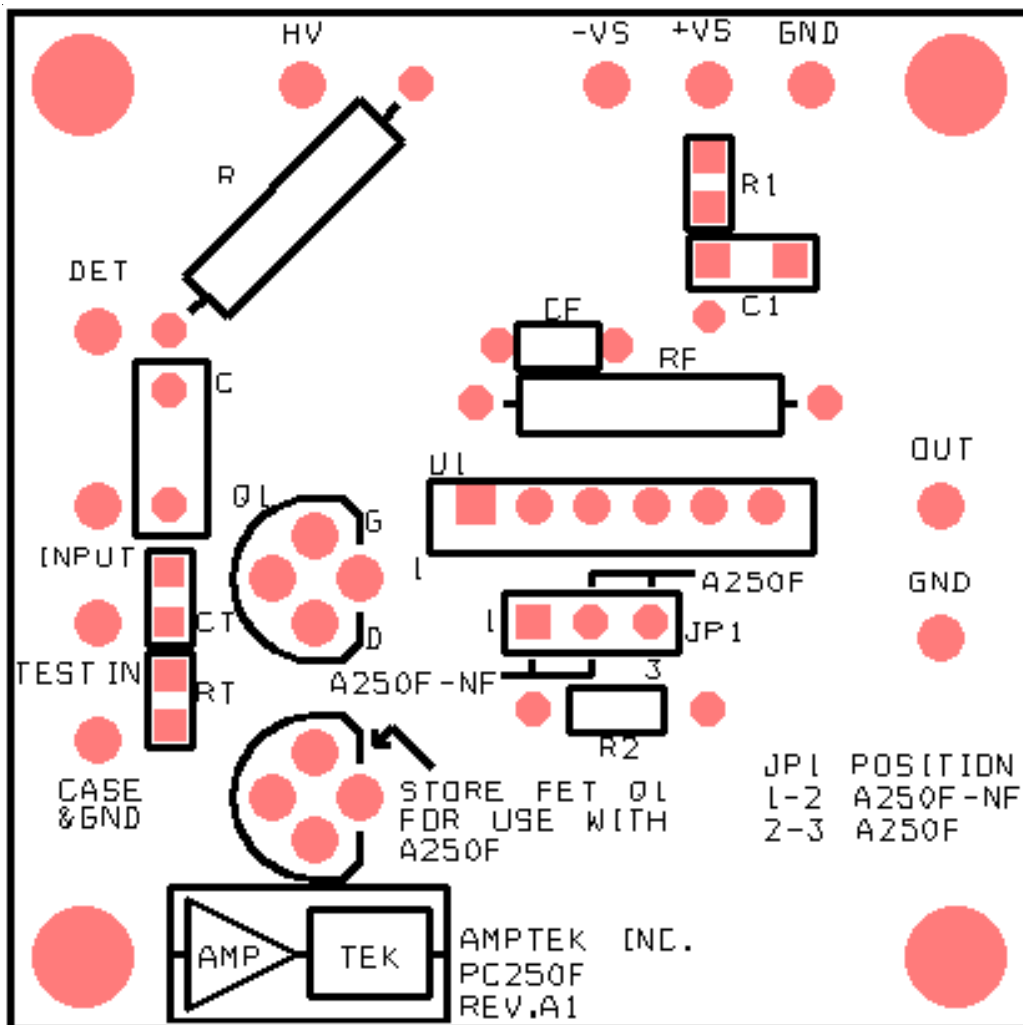
PC250F OPERATING NOTES

Using the A250F with the PC250F: JP1 jumper must be placed in the 2-3 position and the FET must be placed in the STORE position. (refer to layout below)

Using the A250F/NF with the PC250F: JP1 jumper must be placed in the 1-2 position and the FET must be placed in the ACTIVE Q1 position. (refer to layout below)

Refer to A250 Application Notes for testing.

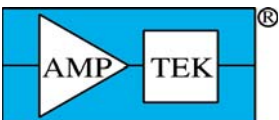
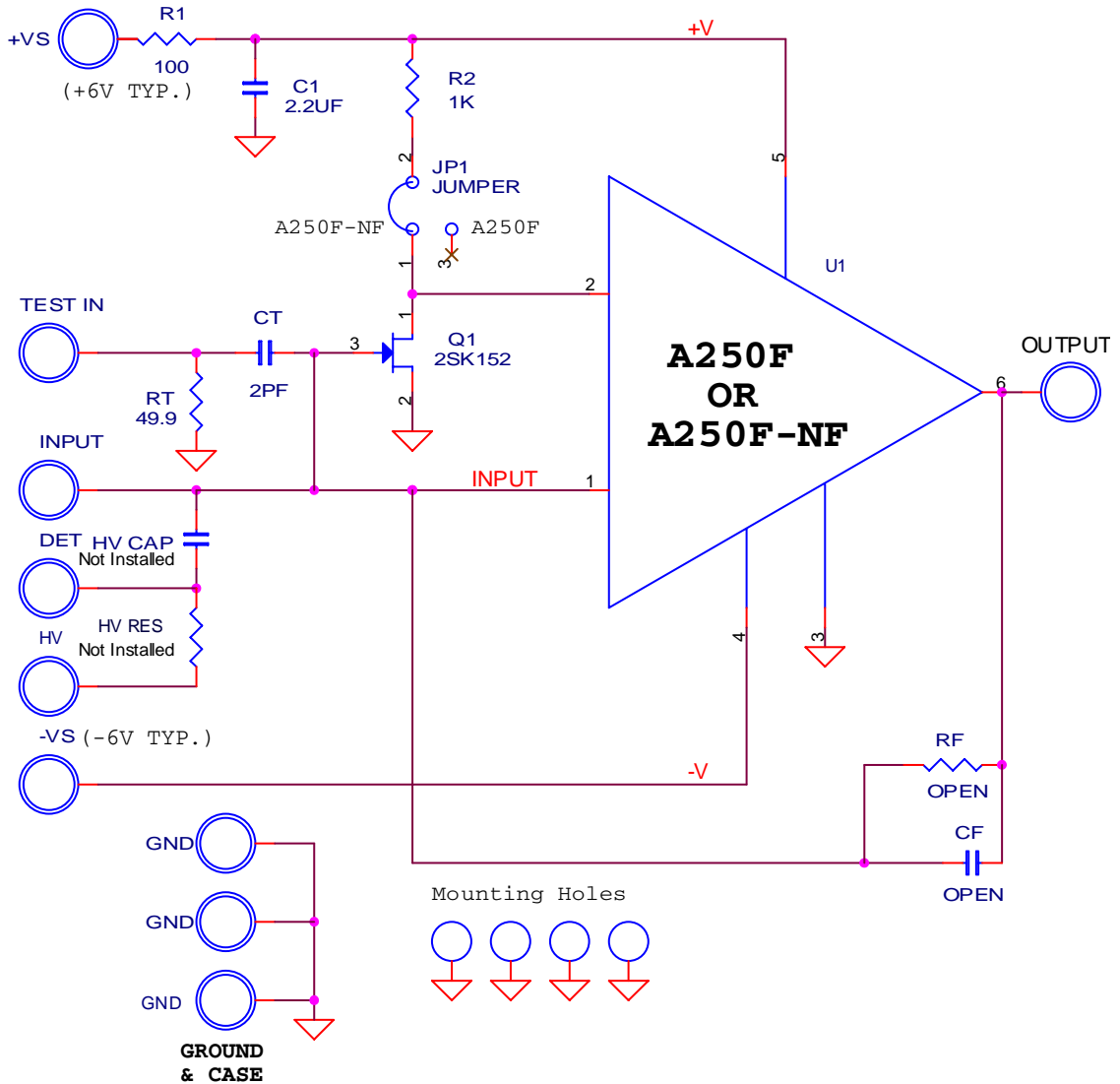
PC250F Layout



Amptek Inc. 14 DeAngelo Drive, Bedford, MA 01730-2204 USA

Tel: +1 781 275-2242 Fax: +1 781 275-3470 Email: sales@amptek.com http://www.amptek.com

PC250F Connection Diagram



Amptek Inc. 14 DeAngelo Drive, Bedford, MA 01730-2204 USA

Tel: +1 781 275-2242 Fax: +1 781 275-3470 Email: sales@amptek.com <http://www.amptek.com>